

Plunger Pumps

FEATURING

MANIFOLD: High strength forged brass or nickel plated for long term use.

BOLTS: Eight 10mm grade 8.8.

PLUNGERS: A special thick solid ceramic for long life, strong durability and more resilience.

CRANKCASE: Precision die-cast, large cooling fins and anodized for maximum heat dissipation. Bayonet style sight glass located in the rear and side cover, fill and side and bottom drain plugs.

BEARINGS: Oversized premium tapered roller bearing for maximum life and load distribution.

BEARINGS SUPPORTS: Precision die-cast and machined to assure concentricity and alignment.

VALVES, SEATS, AND SPRINGS: Stainless steel with specially designed Ultra Form cages to provide long life and positive seating.

SEALS AND U-PACKINGS: Continuously lubricating for extended life. Triple lip oil seal for assured crankcase seal.

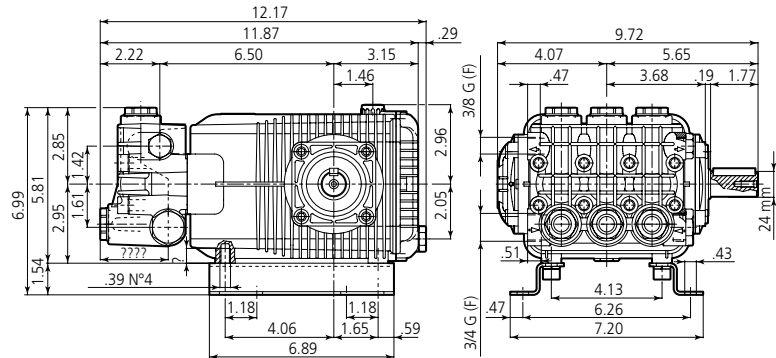
PLUNGER RODS: High strength stainless steel, for heavy duty use.

CONNECTING RODS: Two-piece special alloy aluminum based material, oversized for maximum strength, load disbursement, and long life. Heavy pin area construction, for added load strength.

DIMENSIONS



XWF N version Solid shaft pump ø 24 mm



SPECIFICATIONS

MODEL	MAX GPM	MAX LMP	MAX PSI	MAX BAR	POWER EBHP	BORE DIA MM	STROKE MM	CRANKSHAFT ID STAMP	WEIGHT LBS.
XWF26.06N	6.87	26	900	60	4.0	28	15.0	8	34
XWF25.09N	6.87	26	1300	90	5.5	28	15.0	8	34
XWF26.12N	6.87	26	1740	120	7.5	28	15.0	8	34
XWF26.15N	6.87	26	2200	150	10.0	28	15.0	8	34
XWF30.10N	7.92	30	1450	100	7.5	28	17.2	2	34
XWF30.20N	7.92	30	2900	200	15.0	28	17.2	2	34
XWF36.17N	9.51	36	2500	170	15.0	28	19.6	1	34

Oil Capacity = 32oz

Maximum Fluid Temperature = 140° F

Inlet Thread = 3/4" F

Discharge Thread = 3/8" F

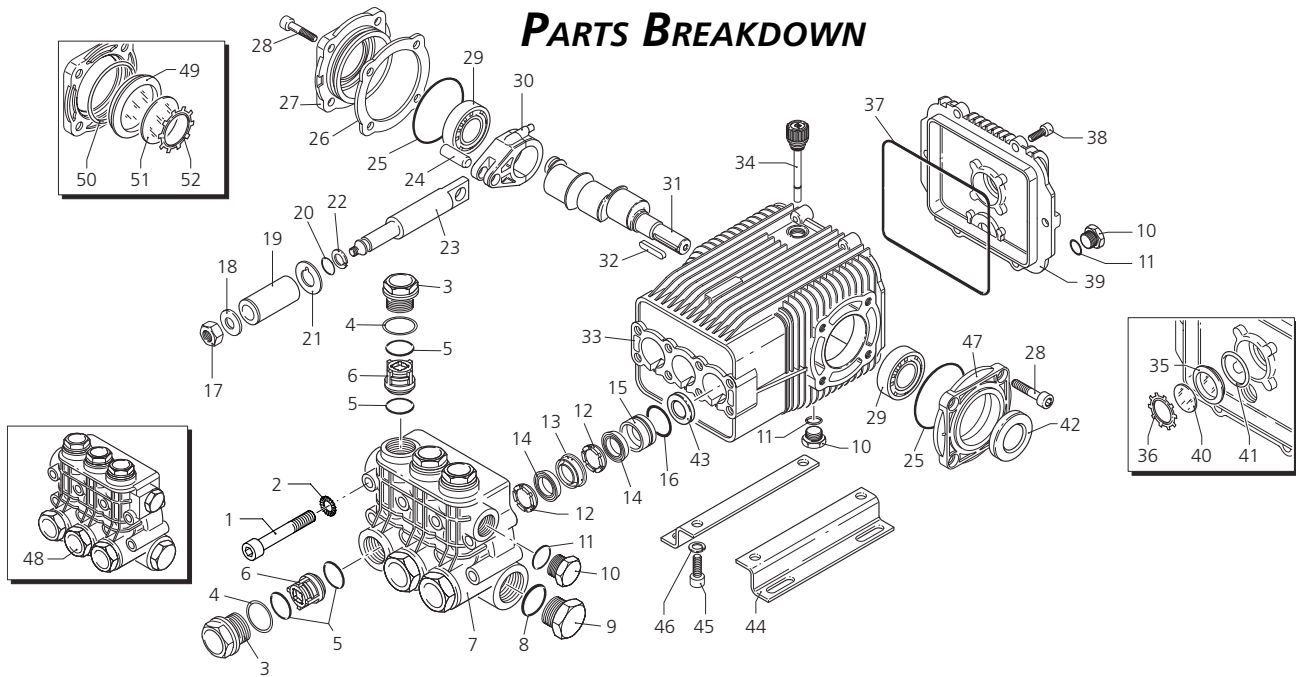
Torque Specifications Inch pounds (ft. lbs)

HEAD	PISTON NUT	REAR COVER	SIDE COVER	VALVE CAP	CON RODS
442 (37)	106 (8.8)	92 (7.7)	217 (18)	602 (50)	89 (7.5)

SPECIAL NOTE: Use AR64516 Oil. First change oil after 50 hours of use. Then every 500 hours. This oil is specially formulated to provide correct lubrication properties for our pumps. **No** other oil is factory approved for these pumps. **ANNOVI REVERBERI High Performance Pumps**



PARTS BREAKDOWN



Pos.	Code	Description	Qty.	Pos.	Code	Description	Qty.	Legend			
1	1940260	Screw	8	38	1200430	Screw	6	Ø 28	Ø 28	Ø 28	
2	650530	Washer	8	39	1949010	Complete cover	1	For ○	For □	For ▼	
3	1940140	Plug	6	40	1780690	Disc	1	XWF26.06	XWF30.10	XWF36.17	
4	1940150	Ring	6	41	1140450	O-Ring	1	XWF26.09	XWF30.18		
5	1140450	O-Ring	12	42	820680	Seal	1	XWF26.12	XWF30.20		
6	1949050	Complete valve	6	43	1940560	Seal	3	XWF26.15			
7	1941550	Pump head	1	44	1940370	Base	2	XWF26.20			
8	550350	O-Ring	1	45	1940380	Screw	4				
9	1140300	Plug 3/4" G	1	46	200231	Washer	4				
10	1980740	Plug 3/8" G	3	47	1941240	Open bearing support	1				
11	740290	O-Ring	3	48	1949205	Pump head assem Ø28	1				
12	1941570	Support ring Ø28	6	49	1941270	Oil indicator	1				
13	1140280	Front piston guide Ø28	3	50	100410	O-Ring	1				
14	820630	Gasket Ø28	6	51	1941260	Disc	1				
15	1941560	Rear piston guide Ø28	3	52	1941290	Snap ring	1				
16	1140490	O-Ring	3								
17	1940570	Nut	3								
18	1940580	Washer	3								
19	1140190	Piston Ø28	3								
20	880840	O-Ring	3								
21	1140160	Spacer Ø28	3								
22	1940120	Ring	3								
23	1940070	Guiding piston	3								
24	1940060	Piston pin	3								
25	1941380	O-Ring	3								
26	1941390	0,05 mm shim	1-3								
27	1941400	0,10 mm shim	1-3								
28	1941410	0,19 mm shim	1-3								
29	1941420	0,25 mm shim	1-3								
30	1949011	Complete side cover	1								
31	850370	Screw	8								
32	1140410	Bearing	2								
33	1940050	Con rod	3								
34	1940980	Crankshaft	○ 1								
35	1940170	Crankshaft	□ 1								
36	1940160	Crankshaft	▼ 1								
37	620250	Key	1								
	1941330	Pump housing	1								
	1140370	Oil cap	1								
	1260250	Oil indicator	1								
	1260430	Snap ring	1								
	1940410	O-Ring	1								

Repair Kits			
Water Seal Kit 1853	Valve Kit 2780	Pistons Kit 1849	Oil Seals Kit 1853
Pos. Qty.	Pos. Qty.	Pos. Qty.	Pos. Qty.
12 3	5 6	19 3	25 2
14 3	6 6		37 1
16 3			42 1
			43 1

Special Parts		
Code	Description	Qty.
2036	Viton water seals Ø28	1

